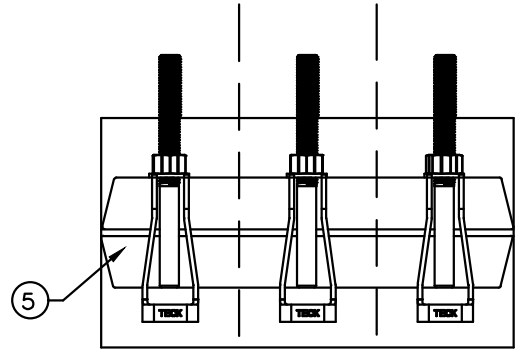
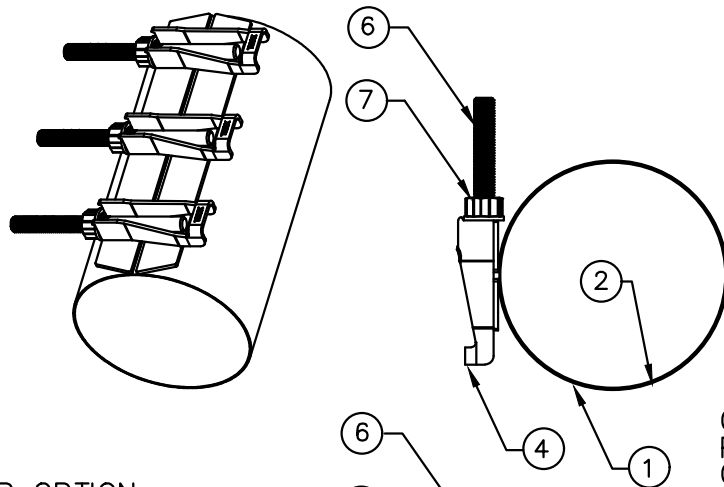


# SUBMITTAL INFORMATION

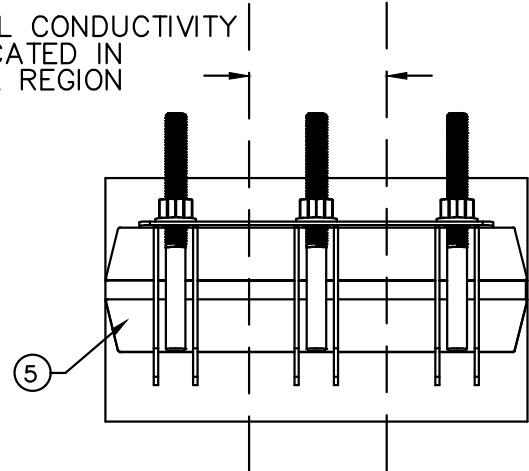
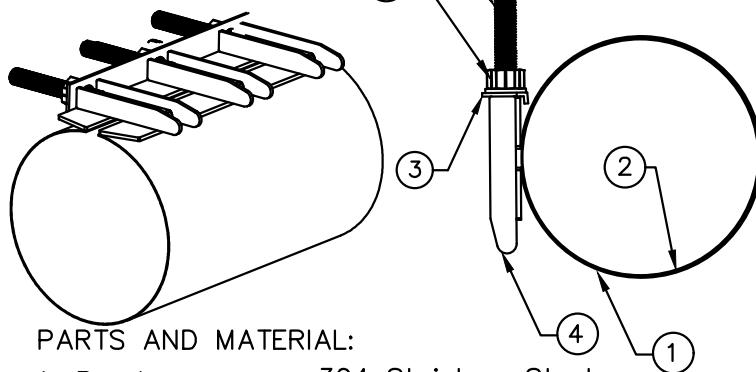
## Stainless Steel Repair Clamp—(425 Series)

### STANDARD TECK FASTENERS:



OPTIONAL CONDUCTIVITY  
PAD LOCATED IN  
CENTRAL REGION

### LP OPTION:



### PARTS AND MATERIAL:

- |                   |   |
|-------------------|---|
| 1. Band           | 304 Stainless Steel<br>Available widths 8", 12", 16", 20", 24"  |
| 2. Gasket         | Available diameters 4" to 12", nominal sizes, custom sizes available<br>NSF 61 Certified, NBR, Standard with flat gasket and finger joint<br>Also available with waffle/grid gasket with taper joint (T Option)   |
| 3. Lifter Plate   | 18-8 type 304 Stainless Steel (LP Option)   |
| 4. Finger Bracket | 18-8 type 304 Stainless Steel   |
| 5. Side Bar       | 18-8 type 304 Stainless Steel   |
| 6. Studs          | Stainless Steel, 5/8" roll NC thread  |
| 7. Nut            | 5/8-11 Stainless Steel heavy hex nuts coated to prevent galling   |
| 8. Options:       | Standard TECK Fastening System, complete with flat gasket with finger joint<br>T - Option with waffle/grid gasket<br>LP - Option with lifter plate<br>C - Option with conductivity pad (central location, secured to gasket)<br>BW - Option, Belleville Washers for HDPE pipe |

### FEATURES:

- All components are made of SS304 type Stainless Steel to prevent corrosion
- Fully Passivated for corrosion resistance
- 0.4" pipe diameter range coverage
- Clamp size, laser etched on each repair clamp
- Made to standard pipe sizes, custom sizes available upon request
- Recommended bolt torque - 60 ft. lbs.
- Repair clamps rated to 150 PSI.
- Economical means of repairing pin hole leaks, punctures, and splits in pipe
- Nuts shall be fluoropolymer coated to prevent galling
- Available with TECK fingers, for ease installation without removing nuts, or lifter plate design.
- Available with either flat gasket with finger joint or grid gasket with taper joint.

Cambridge Brass considers the information in this submittal form to be correct at the time of publication. Item and option availability, including specifications, are subject to change without notice.

Cambridge Brass  
P.O. Box 249, 140 Orion Place  
Cambridge, Ontario  
Canada N1R 5V1  
Tel: (519) 621-5520  
Fax: (519) 621-8674  
<http://www.cambridgebrass.com>



FILE: SUBMITTAL/425\_SUBMITTAL.DWG  
REV. C - MDR, APR 2021

SUBMITTED BY: